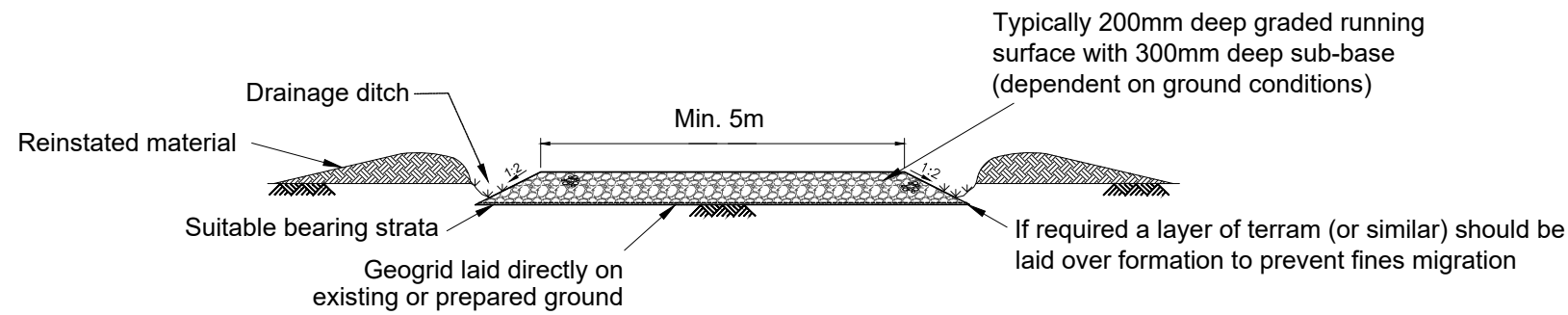
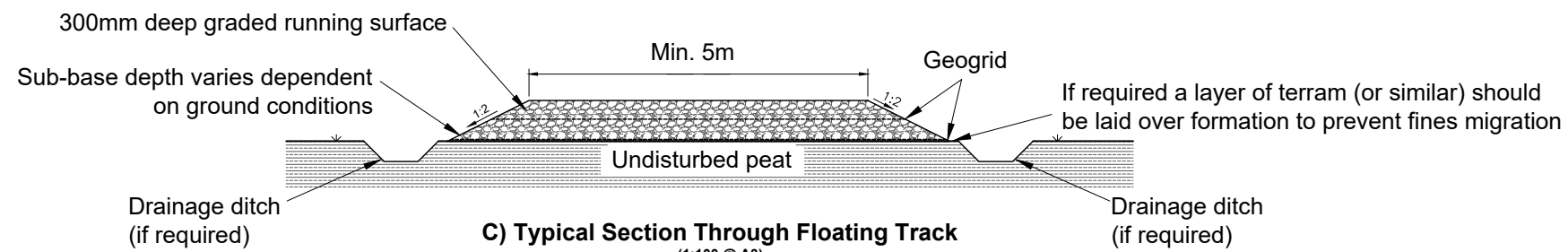


**A) Typical Section Through Cut Track on Slope**  
(1:100 @ A3)



**B) Typical Section Through Cut Track**  
(1:100 @ A3)



**C) Typical Section Through Floating Track**  
(1:100 @ A3)

Scale 1:100 @ A3



Sallachy Wind Farm  
EIA Report

Figure 4.4

Typical Access Track Details